

# TV TUNER TTB-1205



Firebird Systems, Inc.  
Chatsworth, CA 91311  
Tel: (818) 349-7999  
[www.Firebird-Systems.com](http://www.Firebird-Systems.com)

## **Introduction**

Thank you for purchasing TTB1205. The product you have purchased has been carefully engineered and manufactured to give you dependable operation. Read this manual before operating this unit to become familiar with its features and obtain the performance that will bring you continued enjoyment for many years. Please retain this manual for future reference.

## **Precautions**

When using this product, basic safety precautions should always be followed to reduce the risk of fire and electric shock, including the following:

Read and understand all instructions marked on this product.

To prevent fire or shock hazard, do not expose this product to rain moisture.

Do not use near a bath tub, wash bowl, sink, or laundry tub; do not use in a wet basement or in a swimming pool.

To avoid electrical shock, do not open the case of this product.

Operate this product using only the power supply included with it or provided as an accessory. If you are not sure of the type of power supplied to your home, consult your dealer or local power company.

Do not overload electrical outlets or extension cords as this can result in fire or electric shock.

The unit should be situated away from heat sources such as radiators, stoves, etc.

The unit should be situated so that its location or position does not interfere with its proper ventilation.

## Features

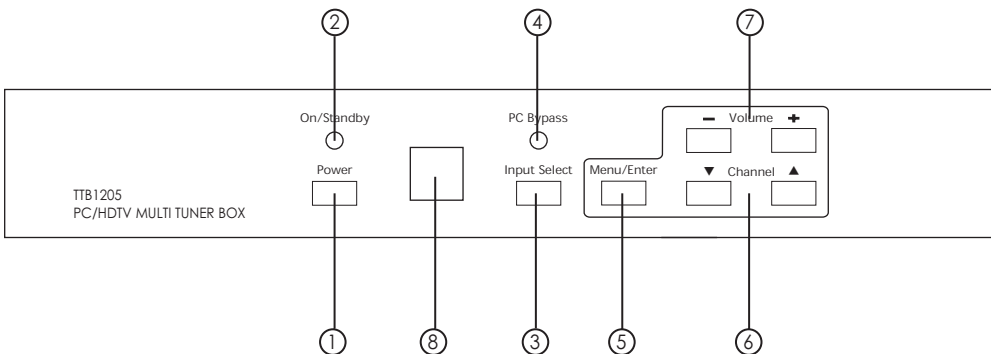
1. View Worldwide VHF/UHF/Cable TV, DVD movie and other videos on your TV, PC monitor, LCD projector or large screen HDTV or Plasma TV.
2. Accepts Worldwide RF, S-Video, Composite video and VGA inputs.
3. Equipped with both TV and PC output allows for simultaneously viewing aerial channel on both TV and PC monitor.
4. Universal Tuner receives worldwide terrestrial broadcasting and CATV channels.
5. Converts above inputs to 720x480 VGA or HDTV 480P/576P output for display on LCD monitor, plasma, or projection TV.
6. 50 to 60 Hz frame rate conversion ensures smooth display for PAL input (50 Hz).
7. Auto-scan programming and 181 channel memory.
8. Built-in adaptive film mode 3:2 pull-down provides clear and crisp de-interlacing of video originating from 24 fps film, such as DVD movies.
9. Supports 2:2 pull down for PAL mode video.
10. Vertical Temporal filter remove jaggy and other de-interlacing artifacts from normal video.
11. Y, Pb, Pr output for progressive scanning display.
12. Motion-adaptive interfiled de-interlacing.
13. OSD menu display for channel tuning and picture adjustment.
14. PC loop through allows for easy switch between video and PC input.
15. No software driver required. It suits all OS.
16. MTS stereo audio output.

## Package Contents

- TT1205 PC/HDTV Tuner Box.
- 15-pin D-Sub to D-Sub cable.
- Remote control.
- 2 RCA to 2 RCA Audio cable
- This instruction manual.
- RCA video cable.
- 2 x 3A 1.5V Battery, 1.2V 800mA power adaptor.

# Operation Control and Functions

## Front Panel



### 1. Power button:

Press the button to turn unit on or standby.

### 2. ON/STANDBY indicator:

When power jack is first plugged in the unit will enter into standby mode and the LED illuminates in red color.

When power button is pressed, the unit is turned on, and the LED illuminates in green color. The unit is then ready for operations.

When the unit is under standby mode, None of the control buttons will function, Only the PC input is looping through to the VGA output.

### 3. Input selection:

Press the button repeatedly will toggle through four input sources available for your selection.

The sequence of selection by increasing the times of pressing the button is as bellow:

TV(RF)→ Composite Video→ S-Video →PC Bypass

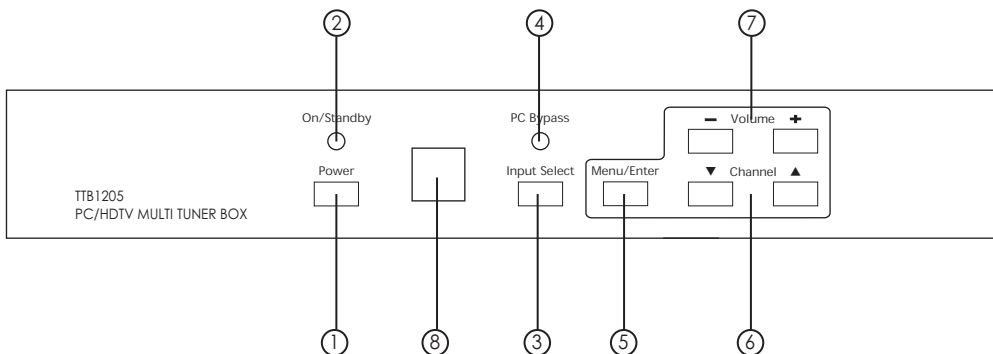
### 4. PC Bypass LED:

The LED illuminates when PC source is selected as input and is bypassed to the output.

When the other three sources is selected this LED will not light however OSD will indicate input source on the screen.

# Operation Control and Functions

## Front Panel



### 5. MENU/ENTER:

Press the button to enter into OSD mode, or to confirm your selection on the highlight parameters.

### 6. Channel ▲▼:

When not in OSD menu mode. Press the button to increase (▲) or decrease (▼) the TV channel number.

When in OSD menu mode. Press the button to move up or down the highlight bar to your desired parameter.

### 7. Volume -,+:

When not in OSD menu mode. Press the button to increase (▲) or decrease (▼) audio volume.

When in OSD mode. Press the button to alter the value of your selected parameter.

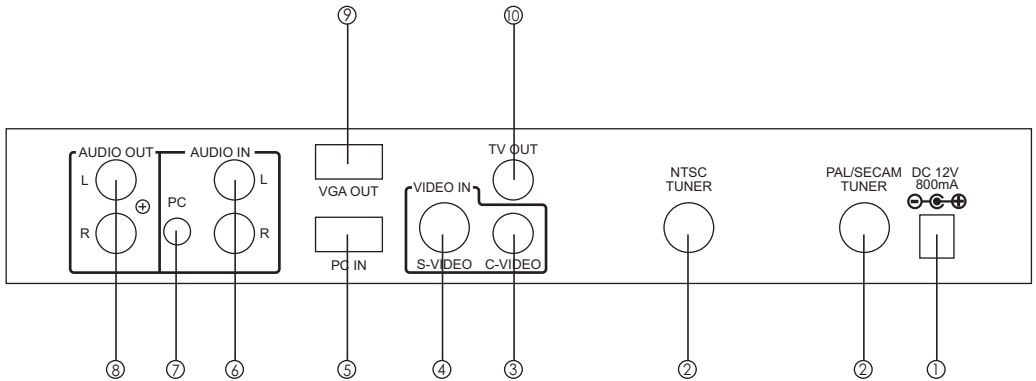
### 8. Remote Control Sensor.

#### Note:

Press the ▲ and ▼ buttons at the same time returns all picture adjustment to the factory preset values.

# Operation Control and Functions

## Rear Panel



1. Power socket: 12V/800mA DC input.
2. RF-IN: Terrestrial VHF/UHF Antenna input or CATV coaxial cable input.
  - a.PAL/SECAM TUNER  
Connect your antenna or cable to this RF input if it receives PAL or SECAM TV/Cable broadcasting program.
  - b.NTSC TUNER  
Connect your antenna or cable to this input if it receives NTSC TV/Cable broadcasting program.
3. C-Video input: Composite video input.
4. S-Video input: S-Video input.
5. PC-IN: 15-pin D-Sub PC VGA input.
6. Audio In: Stereo audio input.
7. PC audio: 3.5mm PC audio input.
8. Audio out: Stereo audio output.
9. VGA out: 15-pin D-Sub VGA output.
10. TV output of the RF tuner input.

*Note:* Depending on your selection of input source, TV out will have different output result. Table below show the detail.

Input source	Signal on TV out
RF Tuner	TV (CATV) programs
CV	Loop through CV
S-V	Luminance(Y), black/white picture
PC	No picture

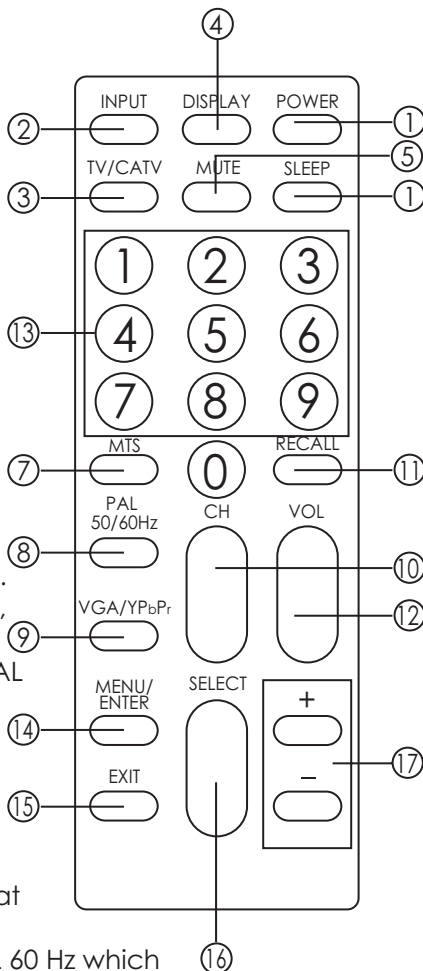
## Operation Control and Functions

### Remote Control:

- 1. Power:** Power ON/OFF button.
- 2. Input:** Press the button repeatedly to select desired input source from TV, C-Video, S-Video and PC.
- 3. TV/CATV:** Press the button to select aerial channel or cable channel.
- 4. Display:** Press the button to turn on or off the indication of input source or channel number on the screen.
- 5. Mute:** Press the button to mute the audio.
- 6. Sleep:** Press the button to set the time for automatically turning off the machine (1~120 minutes).
- 7. MTS:** Press the button to choose Stereo, SAP or Mono audio.(SAP: Second Audio Program; Mono: L+R/L+R; Stereo: L/R).
- 8. PAL 50/60:** When video input is PAL system, depending on your selection the unit will either convert vertical frequency of PAL input from 50 Hz to 60 Hz or just let 50 Hz pass through.

It is recommended that you select PAL 50 (factory default) which simply bypass the vertical frequency to the output to obtain the best picture quality. However in case of some LCD monitors that can not accept 50 Hz vertical frequency, you have to press the button to select PAL 60 Hz which converts 50 Hz input to 60 Hz so that LCD monitor can lock into the frequency and display the picture.

- 9. VGA/YPbPr:** Press the button to select VGA or YPbPr as output mode.
- 10. CH +,-:** Press the button to increase / decrease channel number.
- 11. Recall:** Press the button to recall last channel.
- 12. VOL +,-:** Press the button to increase/ decrease audio volume.
- 13. 0~9:** Press the number to select desired TV/CATV channel directly.
- 14. Menu/Enter:** Press the button to enter into OSD menu or to confirm your selection of the desired parameter.
- 15. Exit:** To exit OSD.
- 16. Select +,-:** Press the button to move up or down the highlight bar of selected item.
- 17. +,-:** Press the button to adjust the setting value of the selected parameter.



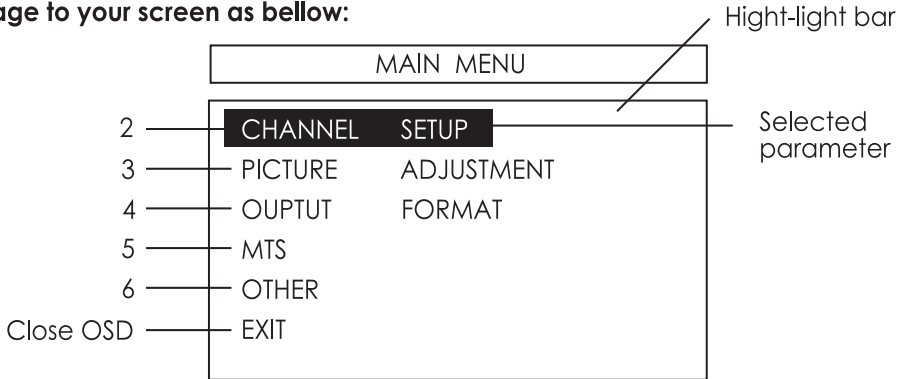
## Operation Control and Functions

### Power up the unit:

1. Plug the power jack into the power socket on the back of the unit, the power LED will illuminate in red color(Standby mode).
2. Press the power button, power LED will turn into green light.(operation mode)
3. Press the power button again will return to standby mode.
4. When the unit first powered up the default input to the unit is TV(RF) input. When you changed input source and later power down the unit the last input source you selected will be memorized by the unit. When you re-power the unit the memorized input will be recalled as input source.

### OSD operation:

1. After power on the unit, Press the Menu button to bring up the main menu page to your screen as bellow:



Use channel ▲▼ to move up or move down high-light bar to your desired parameter. Press MENU/ENTER to confirm your selection.

To adjust the setting value of your selected parameter,press volume + to increase the value. Press volume - to decrease the value.



# Operation Control and Functions

## OSD operation:

### 2. Channel Set up Menu:

Select channel set up in the main Menu to enter into channel set up page as shown below.

CHANNEL SETUP MENU		
SYSTEM:	<input checked="" type="radio"/> PAL	<input type="radio"/> SEACM <input type="radio"/> NTSC
TYPE:	<input type="radio"/> B/G <input type="radio"/> D/K I	<input type="radio"/> AUS. <input type="radio"/> ITALY <input type="radio"/> NZ
RF:	<input type="radio"/> TV	<input type="radio"/> CATV
EDIT:	ADD	DELETE
CHANNEL	AUTO	SEARCH
EXIT		

MENU when PAL system is selected:

CHANNEL SETUP MENU		
SYSTEM:	<input checked="" type="radio"/> PAL	<input type="radio"/> SEACM <input type="radio"/> NTSC
TYPE:	<input checked="" type="radio"/> B/G <input type="radio"/> D/K I <input type="radio"/> I	<input type="radio"/> AUS. <input type="radio"/> ITALY <input type="radio"/> NZ
RF:	<input type="radio"/> TV	<input checked="" type="radio"/> CATV
EDIT:	ADD	DELETE
CHANNEL	AUTO	SEARCH
EXIT		

MENU when SECAM system is selected:

CHANNEL SETUP MENU		
SYSTEM:	<input type="radio"/> PAL	<input checked="" type="radio"/> SEACM <input type="radio"/> NTSC
TYPE:	<input checked="" type="radio"/> B/G <input type="radio"/> D/K I <input type="radio"/> L	
RF:	<input type="radio"/> TV	<input checked="" type="radio"/> CATV
EDIT:	ADD	DELETE
CHANNEL	AUTO	SEARCH
EXIT		

MENU when NTSC system is selected:

CHANNEL SETUP MENU		
SYSTEM:	<input type="radio"/> PAL <input type="radio"/> SEACM	<input checked="" type="radio"/> NTSC
TYPE:	<input checked="" type="radio"/> USA <input type="radio"/> JAPAN	
RF:	<input type="radio"/> TV	<input checked="" type="radio"/> CATV
EDIT:	ADD	DELETE
CHANNEL	AUTO	SEARCH
EXIT		

### SYSTEM SELECT:

TB1205 allows you to tune to any analog aerial on CATV systems in the world if the following system parameters are correctly selected.

Find out what aerial or CATV systems are available at your premise and make sure your antenna/cable are connected to the correct RF input of the CSC-1205MT. The table below shows worldwide countries and their respective TV/CATV systems.

Select the correct System and Type that corresponds to the country you are located.

Country	System	Type
Australia	PAL	AUS
Brazil	NTSC	US
Canada	NTSC	US
Chile	NTSC	US
China	PAL	D/K
Denmark	PAL	B/G
France	SECAM	L
Germany	PAL	B/G
Hong Kong	PAL	I
India	PAL	B/G
Italy	PAL	ITALY
Japan	NTSC	JAPAN
Korea (South)	NTSC	US
New Zealand	PAL	NZ
Philippines	NTSC	US
Portugal	PAL	B/G
Russia	SECAM	D/K
Saudi Arabia	SECAM	B/G
Singapore	PAL	B/G
South Africa	PAL	I
Spain	PAL	B/G
Sweden	PAL	B/G
Switzerland	PAL	B/G
Taiwan	NTSC	US
Thailand	PAL	B/G
United Kingdom	PAL	I
U.S.A	NTSC	US

## **Operation Control and Functions**

### **OSD Operation:**

#### **2.Channel Set up Menu:**

##### **RF SELECT:**

Select TV for receiving Terrestrial VHF/UHF broadcasting channels.  
Setect CATV for receiving CATV cable channels.

##### **Channel ADD:**

To add a channel into your channel up-down memory list. Once a channel is added to the list, it can be called up by pressing channel up/down button.

##### **Channel Delete:**

To remove a channel from your channel up-down memory list.  
Once a channel is deleted, it will be skipped from your channel up/down selection.  
The only way to recall the channel is to press its channel number directly,  
or add it back to channel list.

##### **Channel Auto search:**

The unit will search through all channels contained in the RF cable.  
Once a channel is found it will be stored in the memory and can be called up later by pressing channel ▲ or ▼ button or by pressing channel number directly.

##### **Exit:**

Return to the last menu page.





##### **P.S.**

**Channel Delete and Add only work after channel search is carried out.**

## Operation Control and Functions

### OSD operation:

#### 3. Picture Adjustment Menu:

PICTURE ADJUSTMENT MENU		
BRIGHTNESS		050
CONTRAST		050
COLOR		050
SHARPNESS		012
TINT	G ← ◀ ▶ → R	+00
RESET		
EXIT		

Use channel up or down to select your desired adjustment parameter.

#### **Brightness:**

Use volume +/- to increase or decrease brightness level.

The adjustment range is 1 (least bright), to 100 (most bright)

#### **Contrast:**

Use volume +/- to increase or decrease contrast level.

The adjustment range is 1 (least contrast) to 100 (most contrast).

#### **Color(1-100):**

Use volume +/- to increase or decrease color saturation level.

#### **Sharpness:**

Use volume +/- to increase or decrease sharpness level.

The adjustment range is 1~16.

#### **Tint(NTSC only):**

Use volume +/- to increase or decrease Tint level.

The adjustment range is -50 ~ +50.

#### **Reset:**

To recall the preset default value.

#### **Exit:**

Return to last Menu page.

## Operation Control and Functions

### OSD operation:

#### 4. Output Format Menu:

OUTPUT FORMAT MENU
OUTPUT SELECT
<input checked="" type="radio"/> VGA
<input type="radio"/> YPbPr(480p/576p)
PAL SELECT
<input checked="" type="radio"/> 50Hz
<input type="radio"/> 60 Hz
EXIT

#### Output Select:

- \* VGA: Set the output to 720x480 @ 59.94 Hz mode.(NTSC input), or 720x576@ 50Hz (PAL input).
- \* YPbPr: Set the output to 480p(720x480 @ 59.94) for NTSC input. or 576p (720 x 576 @ 50p) for PAL input.

#### PAL Select:

- \* 50 Hz: Set to 50 Hz the frame rate of PAL input will not be altered, and the output VGA frame rate is 50 Hz.
- \* 60 Hz: Set to 60 Hz the frame rate of the PAL input will be converted from 50 Hz to 60Hz and the VGA frame rate is 60 Hz.

#### 5. MTS MENU:

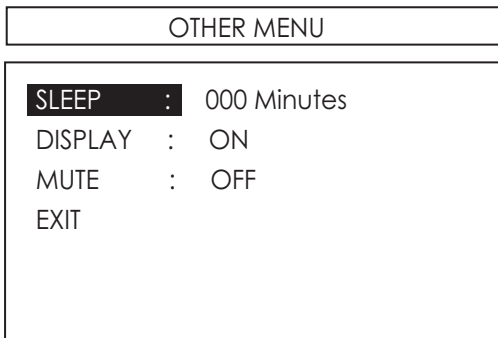
MTS MENU
<input checked="" type="radio"/> STEREO
<input type="radio"/> SAP
<input type="radio"/> MONO
EXIT

- \* Stereo - Audio output in stereo L / R.
- \* SAP - Second Audio program
- \* MONO - L + R / L +R
- \* EXIT

## Operation Control and Functions

### OSD operation:

#### 6. OTHER MENU:



Sleep: To set time (1~120 minutes) to automatically turn off the unit.

Display: When set to ON the selected input source, or selected TV channel number will be indicated on the upper-part of the screen.

No such indication when set to OFF.

Mute: Press the button to mute the audio output.

Exit: Return to last menu page.

## Specification:

1. TV/Cable RF input: F connector 50 Ohm
2. Video input: 1 V p-p 75 ohm phone-jack.
3. S-video input: Y: 1 Vp-p, 75 ohm; C 0.286 Vp-p 75 ohm
4. VGA input: RGB input 0.7 Vp-p typ.
5. VGA output: RGB output 0.7 Vp-p typ.
6. TV output: 1Vp-p 75 Ohm RCA Jack.
7. Audio input: 1 x L,R Audio RCA Jack;  
1 x L,R Audio phone Jack 350m Vrms
8. Audio output: 1 x L,R Audio RCA Jack 350m Vrms

## Connector and Installation:

